

Ford Motor Company



EDI Implementation Documentation

DELFOR D.97A

- **Structure Chart**
- **Branching Diagram**
- **Segment Details**

FORD Motor Company

Systems Planning & Implementation

Christine Jaeschke

Tel.: ++44-1268-40-3758

Issue 2.8

Issue date 10.03.2016

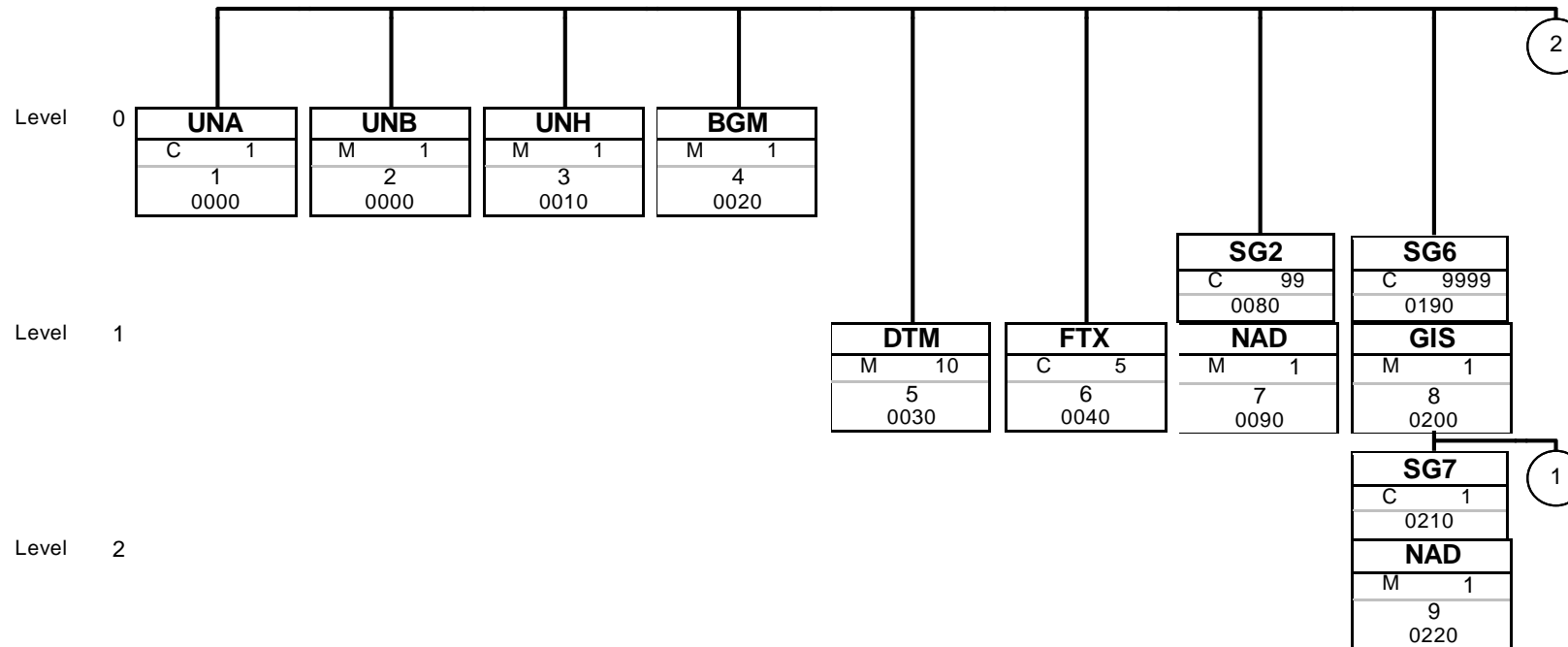
Structure/ Table of Contents

Counter	No	Tag	St	MaxOcc	Level	Content
0000	1	UNA	C	1	0	SERVICE STRING ADVICE
0000	2	UNB	M	1	0	INTERCHANGE HEADER
0010	3	UNH	M	1	0	MESSAGE HEADER
0020	4	BGM	M	1	0	BEGINNING OF MESSAGE
0030	5	DTM	M	10	1	DATE/TIME/PERIOD
0040	6	FTX	C	5	1	FREE TEXT
0080		SG2	C	99	1	NAD
0090	7	NAD	M	1	1	NAME AND ADDRESS
0190		SG6	C	9999	1	GIS-SG7-SG12
0200	8	GIS	M	1	1	GENERAL INDICATOR
0210		SG7	C	1	2	NAD
0220	9	NAD	M	1	2	NAME AND ADDRESS
0370		SG12	C	9999	2	LIN-LOC-FTX-SG13-SG15-SG17-SG22
0380	10	LIN	M	1	2	LINE ITEM
0450	11	LOC	C	999	3	PLACE/LOCATION IDENTIFICATION
0470	12	FTX	C	5	3	FREE TEXT
0480		SG13	C	10	3	RFF
0490	13	RFF	M	1	3	REFERENCE
0540		SG15	C	10	3	QTY-SG16
0550	14	QTY	M	1	3	QUANTITY
0570		SG16	C	10	4	RFF-DTM
0580	15	RFF	M	1	4	REFERENCE
0590	16	DTM	C	1	5	DATE/TIME/PERIOD
0600		SG17	C	999	3	SCC-SG18
0610	17	SCC	M	1	3	SCHEDULING CONDITIONS
0620		SG18	C	999	4	QTY-DTM
0630	18	QTY	M	1	4	QUANTITY
0640	19	DTM	C	2	5	DATE/TIME/PERIOD
0760		SG22	C	999	3	NAD-SG24-SG27
0770	20	NAD	M	1	3	NAME AND ADDRESS
0830		SG24	C	5	4	CTA-COM
0840	21	CTA	M	1	4	CONTACT INFORMATION
0850	22	COM	C	5	5	COMMUNICATION CONTACT
0920		SG27	M	999	4	SCC-SG28
0930	23	SCC	M	1	4	SCHEDULING CONDITIONS
0940		SG28	M	999	5	QTY
0950	24	QTY	M	1	5	QUANTITY
1030	25	UNT	M	1	0	MESSAGE TRAILER
0000	26	UNZ	M	1	0	INTERCHANGE TRAILER

Counter = Counter of segment/group within the EDIFACT standard
 No = Consecutive segment number
 MaxOcc = Maximum occurrence of the segment/group

St = Status
 EDIFACT: M=Mandatory, C=Conditional
 User specific: R=Required, O=Optional, D=Dependent, A=Advised, N=Not used

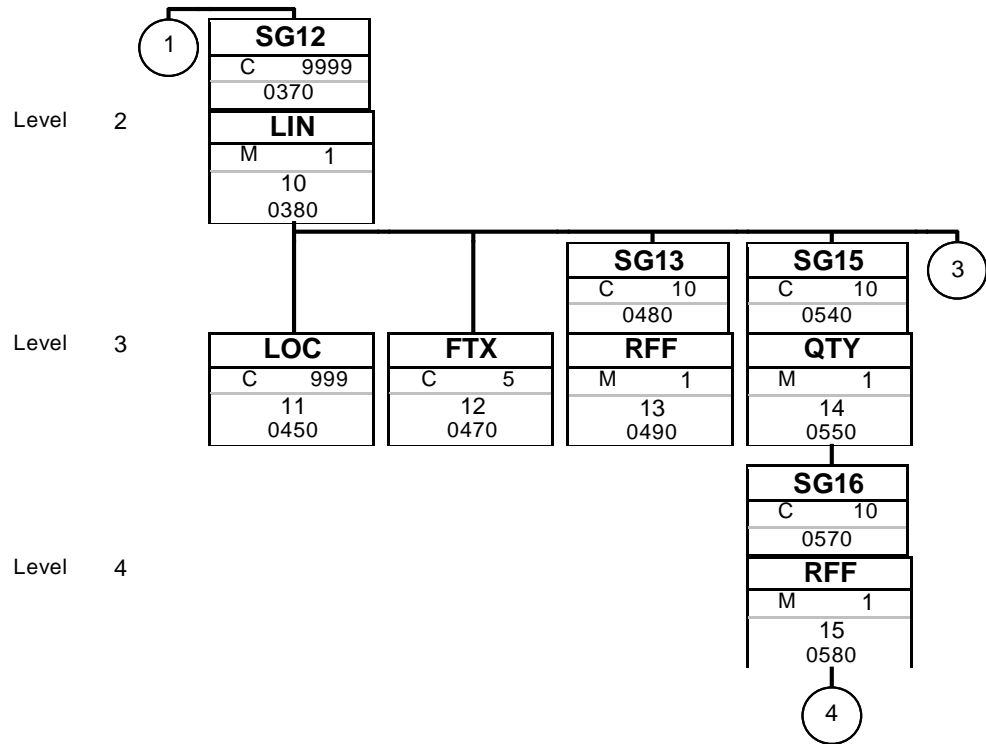
Branching Diagram of Used Segments/Groups



Tag
St MaxOcc
No
Counter

Tag = Segment/Group Tag
 St = Status (M=Mandatory, C=Conditional, R=Required, O=Optional, A=Advised, D=Dependent)
 MaxOcc = Maximum occurrence of the segment/group
 No = Consecutive segment number
 Counter = Counter of segment/group within the EDIFACT standard

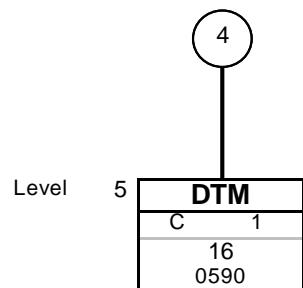
Branching Diagram of Used Segments/Groups



Tag
St MaxOcc
No
Counter

Tag = Segment/Group Tag
 St = Status (M=Mandatory, C=Conditional, R=Required, O=Optional, A=Advised, D=Dependent)
 MaxOcc = Maximum occurrence of the segment/group
 No = Consecutive segment number
 Counter = Counter of segment/group within the EDIFACT standard

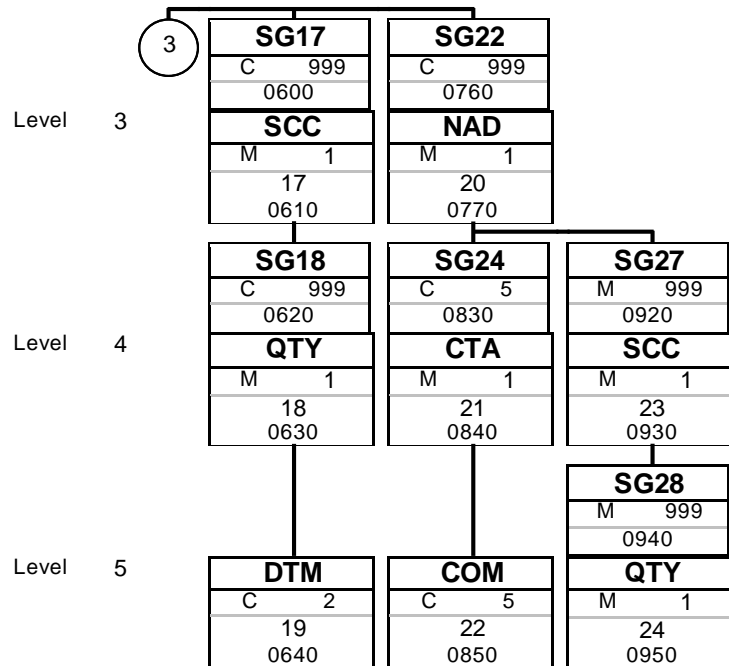
Branching Diagram of Used Segments/Groups



Tag
St MaxOcc
No
Counter

Tag = Segment/Group Tag
 St = Status (M=Mandatory, C=Conditional, R=Required, O=Optional, A=Advised, D=Dependent)
 MaxOcc = Maximum occurrence of the segment/group
 No = Consecutive segment number
 Counter = Counter of segment/group within the EDIFACT standard

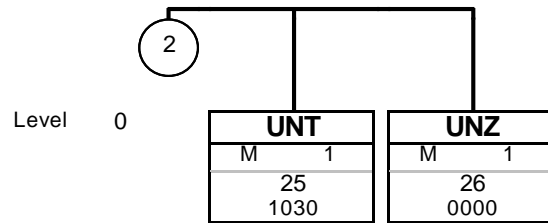
Branching Diagram of Used Segments/Groups



Tag
St MaxOcc
No
Counter

Tag = Segment/Group Tag
 St = Status (M=Mandatory, C=Conditional, R=Required, O=Optional, A=Advised, D=Dependent)
 MaxOcc = Maximum occurrence of the segment/group
 No = Consecutive segment number
 Counter = Counter of segment/group within the EDIFACT standard

Branching Diagram of Used Segments/Groups



Tag
St MaxOcc
No
Counter

Tag = Segment/Group Tag
 St = Status (M=Mandatory, C=Conditional, R=Required, O=Optional, A=Advised, D=Dependent)
 MaxOcc = Maximum occurrence of the segment/group
 No = Consecutive segment number
 Counter = Counter of segment/group within the EDIFACT standard

Segments

Counter	No	Tag	St	MaxOcc	Level	Name
0000	1	UNA	C	1	0	SERVICE STRING ADVICE

Standard			Implementation	
Tag	Name	St Format	St Format	Usage / Remark
UNA1	Component data element separator	M an1	M an1	:
UNA2	Data element separator	M an1	M an1	+
UNA3	Decimal notation	M an1	M an1	.
UNA4	Release indicator	M an1	M an1	?
UNA5	Reserved for future use	M an1	M an1	
UNA6	Segment terminator	M an1	M an1	'

Remark:
UNA:+.?'

No = Consecutive segment number
 MaxOcc = Maximum occurrence of the segment/group
 Counter = Counter of segment/group within the EDIFACT standard

St = Status
 EDIFACT: M=Mandatory, C=Conditional
 User specific: R=Required, O=Optional, D=Dependent, A=Advised, N=Not used

Segments

Counter	No	Tag	St	MaxOcc	Level	Name
0000	2	UNB	M	1	0	INTERCHANGE HEADER

Standard			Implementation	
Tag	Name	St Format	St Format	Usage / Remark
S001	SYNTAX IDENTIFIER	M	M	
0001	Syntax identifier	M a4	M a4	UNOC UN/ECE level C
0002	Syntax version number	M n1	M n1	3 Version 3
S002	INTERCHANGE SENDER	M	M	
0004	Sender identification	M an..35	M an..35	
0007	Partner identification code qualifier	C an..4	N	Not used
0008	Address for reverse routing	C an..14	N	Not used
S003	INTERCHANGE RECIPIENT	M	M	
0010	Recipient identification	M an..35	M an..35	
0007	Partner identification code qualifier	C an..4	N	Not used
0014	Routing address	C an..14	N	Not used
S004	DATE/TIME OF PREPARATION	M	M	
0017	Date of preparation	M n6	M n6	
0019	Time of preparation	M n4	M n4	
0020	Interchange control reference	M an..14	M an..14	
S005	RECIPIENT'S REFERENCE PASSWORD	C	N	
0022	Recipient's reference/password	M an..14	N	Not used
0025	Recipient's reference/password qualifier	C an2	N	Not used
0026	Application reference	C an..14	N	Not used
0029	Processing priority code	C a1	N	Not used
0031	Acknowledgement request	C n1	N	Not used
0032	Communications agreement ID	C an..35	N	Not used
0035	Test indicator	C n1	N	Not used

Remark:

UNB+UNOC:3+0134A+ABCDE+060307:1000+00000987654321'

No = Consecutive segment number
 MaxOcc = Maximum occurrence of the segment/group
 Counter = Counter of segment/group within the EDIFACT standard

St = Status
 EDIFACT: M=Mandatory, C=Conditional
 User specific: R=Required, O=Optional, D=Dependent, A=Advised, N=Not used

Segments

Counter	No	Tag	St	MaxOcc	Level	Name
0010	1	UNH	M	1	0	MESSAGE HEADER

		Standard	Implementation	
Tag	Name	St Format	St Format	Usage / Remark
0062	Message reference number	M an..14	M an..14	
S009	MESSAGE IDENTIFIER	M	M	
0065	Message type identifier	M an..6	M an..6	DELFOR Delivery Forecast Message
0052	Message type version number	M an..3	M an..3	D Draft version/UN/EDIFACT Directory
0054	Message type release number	M an..3	M an..3	97A Release 1997 - A
0051	Controlling agency	M an..2	M an..2	UN UN/ECE/TRADE/WP.4
0057	Association assigned code	C an..6	C an..6	
0068	Common access reference	C an..35	C an..35	
S010	STATUS OF THE TRANSFER	C	C	
0070	Sequence message transfer number	M n..2	M n..2	
0073	First/last sequence message transfer indication	C a1	C a1	

Remark:

UNH+160307031927+DELFOR:D:97A:UN

No = Consecutive segment number
 MaxOcc = Maximum occurrence of the segment/group
 Counter = Counter of segment/group within the EDIFACT standard

St = Status
 EDIFACT: M=Mandatory, C=Conditional
 User specific: R=Required, O=Optional, D=Dependent, A=Advised, N=Not used

Segments

Counter	No	Tag	St	MaxOcc	Level	Name
0020	2	BGM	M	1	0	BEGINNING OF MESSAGE

Standard			Implementation	
Tag	Name	St Format	St Format	Usage / Remark
C002	DOCUMENT/MESSAGE NAME	C	C	
1001	Document/message name, coded	C an..3	C an..3	Usage of DELFOR-message 241 Delivery schedule
1131	Code list qualifier	C an..3	N	Not used
3055	Code list responsible agency, coded	C an..3	N	Not used
1000	Document/message name	C an..35	C an..35	DELFOR
C106	DOCUMENT/MESSAGE IDENTIFICATION	C	C	
1004	Document/message number	C an..35	C an..35	
1056	Version	C an..9	N	Not used
1060	Revision number	C an..6	N	Not used
1225	Message function, coded	C an..3	C an..3	5 Replace 9 Original
4343	Response type, coded	C an..3	N	Not used

Remark:

BGM+241:::DELFOR+831-1+5'

No = Consecutive segment number
 MaxOcc = Maximum occurrence of the segment/group
 Counter = Counter of segment/group within the EDIFACT standard

St = Status
 EDIFACT: M=Mandatory, C=Conditional
 User specific: R=Required, O=Optional, D=Dependent, A=Advised, N=Not used

Segments

Counter	No	Tag	St	MaxOcc	Level	Name
0030	3	DTM	M	10	1	DATE/TIME/PERIOD

Standard			Implementation	
Tag	Name	St Format	St Format	Usage / Remark
C507	DATE/TIME/PERIOD	M	M	
2005	Date/time/period qualifier	M an..3	M an..3	51 Cumulative quantity start date 137 Document/message date/time 159 Horizon end date
2380	Date/time/period	C an..35	C an..35	
2379	Date/time/period format qualifier	C an..3	C an..3	101 YYMMDD

Remark:

DTM+137:160306:101'

DTM+159:170312:101'

DTM+51:160101:101'

No = Consecutive segment number
 MaxOcc = Maximum occurrence of the segment/group
 Counter = Counter of segment/group within the EDIFACT standard

St = Status
 EDIFACT: M=Mandatory, C=Conditional
 User specific: R=Required, O=Optional, D=Dependent, A=Advised, N=Not used

Segments

Counter	No	Tag	St	MaxOcc	Level	Name
0040	4	FTX	C	5	1	FREE TEXT

Standard			Implementation	
Tag	Name	St Format	St Format	Usage / Remark
4451	Text subject qualifier	M an..3	M an..3	AAI General information
4453	Text function, coded	C an..3	N	Not used
C107	TEXT REFERENCE	C	C	
4441	Free text identification	M an..17	M an..17	'GENERAL NOTES'
1131	Code list qualifier	C an..3	N	Not used
3055	Code list responsible agency, coded	C an..3	N	Not used
C108	TEXT LITERAL	C	C	
4440	Free text	M an..70	M an..70	
4440	Free text	C an..70	N	Not used
4440	Free text	C an..70	N	Not used
4440	Free text	C an..70	N	Not used
4440	Free text	C an..70	N	Not used
3453	Language, coded	C an..3	N	Not used

Remark:

No = Consecutive segment number
 MaxOcc = Maximum occurrence of the segment/group
 Counter = Counter of segment/group within the EDIFACT standard

St = Status
 EDIFACT: M=Mandatory, C=Conditional
 User specific: R=Required, O=Optional, D=Dependent, A=Advised, N=Not used

Segments

Counter	No	Tag	St	MaxOcc	Level	Name
0080		SG2	C	99	1	NAD
0090	5	NAD	M	1	1	NAME AND ADDRESS

Standard			Implementation	
Tag	Name	St Format	St Format	Usage / Remark
3035	Party qualifier	M an..3	M an..3	BT Party to be billed for other than freight (bill to) BY Buyer IC Intermediate consignee MI Planning schedule/material release issuer SF Ship from ST Ship to SU Supplier
C082	PARTY IDENTIFICATION DETAILS	C	C	
3039	Party id. identification	M an..35	M an..35	
1131	Code list qualifier	C an..3	N	Not used
3055	Code list responsible agency, coded	C an..3	C an..3	92 Assigned by buyer or buyer's agent
C058	NAME AND ADDRESS	C	N	
3124	Name and addressline	M an..35	N	Not used
3124	Name and addressline	C an..35	N	Not used
3124	Name and addressline	C an..35	N	Not used
3124	Name and addressline	C an..35	N	Not used
3124	Name and addressline	C an..35	N	Not used
C080	PARTY NAME	C	N	
3036	Party name	M an..35	N	Not used
3036	Party name	C an..35	N	Not used
3036	Party name	C an..35	N	Not used
3036	Party name	C an..35	N	Not used
3036	Party name	C an..35	N	Not used
3045	Party name format, coded	C an..3	N	Not used
C059	STREET	C	N	
3042	Street and number/p.o. box	M an..35	N	Not used
3042	Street and number/p.o. box	C an..35	N	Not used
3042	Street and number/p.o. box	C an..35	N	Not used
3042	Street and number/p.o. box	C an..35	N	Not used
3164	City name	C an..35	N	Not used
3229	Country sub-entity identification	C an..9	N	Not used
3251	Postcode identification	C an..9	N	Not used
3207	Country, coded	C an..3	N	Not used

Remark:

NAD+SU+GSDBA::92'
 NAD+SF+GSDBA::92'
 NAD+ST+0145H::92'

No = Consecutive segment number
 MaxOcc = Maximum occurrence of the segment/group
 Counter = Counter of segment/group within the EDIFACT standard

St = Status
 EDIFACT: M=Mandatory, C=Conditional
 User specific: R=Required, O=Optional, D=Dependent, A=Advised, N=Not used

Segments

Counter	No	Tag	St	MaxOcc	Level	Name
0190		SG6	C	9999	1	GIS-SG7-SG12
0200	6	GIS	M	1	1	GENERAL INDICATOR

Standard			Implementation	
Tag	Name	St Format	St Format	Usage / Remark
C529	PROCESSING INDICATOR	M	M	
7365	Processing indicator, coded	M an..3	M an..3	Processing of information to note that complete data details (not just changes) are transmitted. 37 Complete information
1131	Code list qualifier	C an..3	N	Not used
3055	Code list responsible agency, coded	C an..3	N	Not used
7187	Process type identification	C an..17	N	Not used

Remark:
GIS+37'

No = Consecutive segment number
 MaxOcc = Maximum occurrence of the segment/group
 Counter = Counter of segment/group within the EDIFACT standard

St = Status
 EDIFACT: M=Mandatory, C=Conditional
 User specific: R=Required, O=Optional, D=Dependent, A=Advised, N=Not used

Segments

Counter	No	Tag	St	MaxOcc	Level	Name
	0210	SG7	C	1	2	NAD
	0220	NAD	M	1	2	NAME AND ADDRESS

Standard			Implementation	
Tag	Name	St Format	St Format	Usage / Remark
3035	Party qualifier	M an..3	M an..3	IC Intermediate consignee
C082	PARTY IDENTIFICATION DETAILS	C	C	
3039	Party id. identification	M an..35	M an..35	
1131	Code list qualifier	C an..3	N	Not used
3055	Code list responsible agency, coded	C an..3	C an..3	92 Assigned by buyer or buyer's agent
C058	NAME AND ADDRESS	C	N	
3124	Name and addressline	M an..35	N	Not used
3124	Name and addressline	C an..35	N	Not used
3124	Name and addressline	C an..35	N	Not used
3124	Name and addressline	C an..35	N	Not used
3124	Name and addressline	C an..35	N	Not used
C080	PARTY NAME	C	N	
3036	Party name	M an..35	N	Not used
3036	Party name	C an..35	N	Not used
3036	Party name	C an..35	N	Not used
3036	Party name	C an..35	N	Not used
3036	Party name	C an..35	N	Not used
3045	Party name format, coded	C an..3	N	Not used
C059	STREET	C	N	
3042	Street and number/p.o. box	M an..35	N	Not used
3042	Street and number/p.o. box	C an..35	N	Not used
3042	Street and number/p.o. box	C an..35	N	Not used
3042	Street and number/p.o. box	C an..35	N	Not used
3164	City name	C an..35	N	Not used
3229	Country sub-entity identification	C an..9	N	Not used
3251	Postcode identification	C an..9	N	Not used
3207	Country, coded	C an..3	N	Not used

Remark:
NAD+IC+GSDBA::92'

No = Consecutive segment number
 MaxOcc = Maximum occurrence of the segment/group
 Counter = Counter of segment/group within the EDIFACT standard

St = Status
 EDIFACT: M=Mandatory, C=Conditional
 User specific: R=Required, O=Optional, D=Dependent, A=Advised, N=Not used

Segments

Counter	No	Tag	St	MaxOcc	Level	Name
0370		SG12	C	9999	2	LIN-LOC-FTX-SG13-SG15-SG17-SG22
0380	8	LIN	M	1	2	LINE ITEM

Standard			Implementation	
Tag	Name	St Format	St Format	Usage / Remark
1082	Line item number	C an..6	N	Not used
1229	Action request/notification, coded	C an..3	N	Not used
C212	ITEM NUMBER IDENTIFICATION	C	C	
7140	Item number	C an..35	C an..35	part number
7143	Item number type, coded	C an..3	C an..3	BP Buyer's part number
1131	Code list qualifier	C an..3	N	Not used
3055	Code list responsible agency, coded	C an..3	N	Not used
C829	SUB-LINE INFORMATION	C	N	
5495	Sub-line indicator, coded	C an..3	N	Not used
1082	Line item number	C an..6	N	Not used
1222	Configuration level	C n..2	N	Not used
7083	Configuration, coded	C an..3	N	Not used

Remark:

LIN+++1A11 A01234 AA:BP

No = Consecutive segment number
 MaxOcc = Maximum occurrence of the segment/group
 Counter = Counter of segment/group within the EDIFACT standard

St = Status
 EDIFACT: M=Mandatory, C=Conditional
 User specific: R=Required, O=Optional, D=Dependent, A=Advised, N=Not used

Segments

Counter	No	Tag	St	MaxOcc	Level	Name
0370		SG12	C	9999	2	LIN-LOC-FTX-SG13-SG15-SG17-SG22
0450	9	LOC	C	999	3	PLACE/LOCATION IDENTIFICATION

Standard			Implementation		
Tag	Name	St Format	St Format	Usage / Remark	
3227	Place/location qualifier	M an..3	M an..3	LOC+54 is called Line Feed location. LOC+159 is called market place for European plants. 11 Place/port of discharge 54 Manufacturing department 159 Additional internal destination	
C517	LOCATION IDENTIFICATION	C	C		
3225	Place/location identification	C an..25	C an..25		
1131	Code list qualifier	C an..3	N	Not used	
3055	Code list responsible agency, coded	C an..3	N	Not used	
3224	Place/location	C an..70	N	Not used	
C519	RELATED LOCATION ONE IDENTIFICATION	C	N		
3223	Related place/location one identification	C an..25	N	Not used	
1131	Code list qualifier	C an..3	N	Not used	
3055	Code list responsible agency, coded	C an..3	N	Not used	
3222	Related place/location one	C an..70	N	Not used	
C553	RELATED LOCATION TWO IDENTIFICATION	C	N		
3233	Related place/location two identification	C an..25	N	Not used	
1131	Code list qualifier	C an..3	N	Not used	
3055	Code list responsible agency, coded	C an..3	N	Not used	
3232	Related place/location two	C an..70	N	Not used	
5479	Relation, coded	C an..3	N	Not used	

Remark:

If there is no dock code (LOC+11) present in the CMMS inhouse file, the ship-to (receiving plant) 2-digit code will be transmitted in the LOC+11.

LOC+11+V5'

No = Consecutive segment number
 MaxOcc = Maximum occurrence of the segment/group
 Counter = Counter of segment/group within the EDIFACT standard

St = Status
 EDIFACT: M=Mandatory, C=Conditional
 User specific: R=Required, O=Optional, D=Dependent, A=Advised, N=Not used

Segments

Counter	No	Tag	St	MaxOcc	Level	Name
0370		SG12	C	9999	2	LIN-LOC-FTX-SG13-SG15-SG17-SG22
0470	10	FTX	C	5	3	FREE TEXT

Standard			Implementation	
Tag	Name	St Format	St Format	Usage / Remark
4451	Text subject qualifier	M an..3	M an..3	AAI General information
4453	Text function, coded	C an..3	N	Not used
C107	TEXT REFERENCE	C	C	
4441	Free text identification	M an..17	M an..17	'GENERAL NOTES'
1131	Code list qualifier	C an..3	N	Not used
3055	Code list responsible agency, coded	C an..3	N	Not used
C108	TEXT LITERAL	C	C	
4440	Free text	M an..70	M an..70	
4440	Free text	C an..70	N	Not used
4440	Free text	C an..70	N	Not used
4440	Free text	C an..70	N	Not used
4440	Free text	C an..70	N	Not used
3453	Language, coded	C an..3	N	Not used

Remark:

For FCSD requirements this segment contains the finis code

No = Consecutive segment number
 MaxOcc = Maximum occurrence of the segment/group
 Counter = Counter of segment/group within the EDIFACT standard

St = Status
 EDIFACT: M=Mandatory, C=Conditional
 User specific: R=Required, O=Optional, D=Dependent, A=Advised, N=Not used

Segments

Counter	No	Tag	St	MaxOcc	Level	Name
0480		SG13	C	10	3	RFF
0490	11	RFF	M	1	3	REFERENCE

Standard			Implementation	
Tag	Name	St Format	St Format	Usage / Remark
C506	REFERENCE	M	M	
1153	Reference qualifier	M an..3	M an..3	ON Order number (purchase)
1154	Reference number	C an..35	C an..35	
1156	Line number	C an..6	N	Not used
4000	Reference version number	C an..35	N	Not used

Remark:
RFF+ON:HW1234'

No = Consecutive segment number
 MaxOcc = Maximum occurrence of the segment/group
 Counter = Counter of segment/group within the EDIFACT standard

St = Status
 EDIFACT: M=Mandatory, C=Conditional
 User specific: R=Required, O=Optional, D=Dependent, A=Advised, N=Not used

Segments

Counter	No	Tag	St	MaxOcc	Level	Name
	0540	SG15	C	10	3	QTY-SG16
	0550	QTY	M	1	3	QUANTITY

Standard			Implementation	
Tag	Name	St Format	St Format	Usage / Remark
C186	QUANTITY DETAILS	M	M	
6063	Quantity qualifier	M an..3	M an..3	1 Discrete quantity 12 Despatch quantity 79 Previous cumulative quantity
6060	Quantity	M n..15	M n..15	
6411	Measure unit qualifier	C an..3	C an..3	

Remark:

This segment is used to provide information about previous shipments and cumulative quantities. Actual requirements are transmitted in SG18.

QTY+12:1680:EA'

QTY+79:2880:EA'

No = Consecutive segment number
 MaxOcc = Maximum occurrence of the segment/group
 Counter = Counter of segment/group within the EDIFACT standard

St = Status
 EDIFACT: M=Mandatory, C=Conditional
 User specific: R=Required, O=Optional, D=Dependent, A=Advised, N=Not used

Segments

Counter	No	Tag	St	MaxOcc	Level	Name
0570		SG16	C	10	4	RFF-DTM
0580	13	RFF	M	1	4	REFERENCE

Standard			Implementation	
Tag	Name	St Format	St Format	Usage / Remark
C506	REFERENCE	M	M	
1153	Reference qualifier	M an..3	M an..3	SI SID (Shipper's identifying number for shipment)
1154	Reference number	C an..35	C an..35	
1156	Line number	C an..6	N	Not used
4000	Reference version number	C an..35	N	Not used

Remark:
RFF+SI:00060053988'

No = Consecutive segment number
 MaxOcc = Maximum occurrence of the segment/group
 Counter = Counter of segment/group within the EDIFACT standard

St = Status
 EDIFACT: M=Mandatory, C=Conditional
 User specific: R=Required, O=Optional, D=Dependent, A=Advised, N=Not used

Segments

Counter	No	Tag	St	MaxOcc	Level	Name
	0570	SG16	C	10	4	RFF-DTM
	0590	14 DTM	C	1	5	DATE/TIME/PERIOD

Standard			Implementation	
Tag	Name	St Format	St Format	Usage / Remark
C507	DATE/TIME/PERIOD	M	M	
2005	Date/time/period qualifier	M an..3	M an..3	11 Despatch date and or time
2380	Date/time/period	C an..35	C an..35	
2379	Date/time/period format qualifier	C an..3	C an..3	101 YYMMDD

Remark:

DTM+11:160226:101'

No = Consecutive segment number
 MaxOcc = Maximum occurrence of the segment/group
 Counter = Counter of segment/group within the EDIFACT standard

St = Status
 EDIFACT: M=Mandatory, C=Conditional
 User specific: R=Required, O=Optional, D=Dependent, A=Advised, N=Not used

Segments

Counter	No	Tag	St	MaxOcc	Level	Name
0600		SG17	C	999	3	SCC-SG18
0610	15	SCC	M	1	3	SCHEDULING CONDITIONS

Standard			Implementation		
Tag	Name	St Format	St Format	Usage / Remark	
4017	Delivery plan status indicator, coded	M an..3	M an..3	1 Firm 2 Commitment for manufacturing and material 3 Commitment for material 4 Planning/forecast	
4493	Delivery requirements, coded	C an..3	C an..3	DD Deliver on date SC Ship complete order	
C329	PATTERN DESCRIPTION	C	C		
2013	Frequency, coded	C an..3	C an..3	D Discrete F Flexible interval (from date X through date Y) W Weekly	
2015	Despatch pattern, coded	C an..3	N	Not used	
2017	Despatch pattern timing, coded	C an..3	N	Not used	

Remark:

SCC+2+SC+F

SCC+4+SC+W'

No = Consecutive segment number
 MaxOcc = Maximum occurrence of the segment/group
 Counter = Counter of segment/group within the EDIFACT standard

St = Status
 EDIFACT: M=Mandatory, C=Conditional
 User specific: R=Required, O=Optional, D=Dependent, A=Advised, N=Not used

Segments

Counter	No	Tag	St	MaxOcc	Level	Name
	0620	SG18	C	999	4	QTY-DTM
	0630	16 QTY	M	1	4	QUANTITY

Standard			Implementation	
Tag	Name	St Format	St Format	Usage / Remark
C186	QUANTITY DETAILS	M	M	
6063	Quantity qualifier	M an..3	M an..3	1 Discrete quantity 3 Cumulative quantity 92 Final delivery quantity 83 Backorder quantity (FCSD only)
6060	Quantity	M n..15	M n..15	
6411	Measure unit qualifier	C an..3	C an..3	

Remark:
QTY+3:2880:EA'

No = Consecutive segment number
 MaxOcc = Maximum occurrence of the segment/group
 Counter = Counter of segment/group within the EDIFACT standard

St = Status
 EDIFACT: M=Mandatory, C=Conditional
 User specific: R=Required, O=Optional, D=Dependent, A=Advised, N=Not used

Segments

Counter	No	Tag	St	MaxOcc	Level	Name
0620		SG18	C	999	4	QTY-DTM
0640	17	DTM	C	2	5	DATE/TIME/PERIOD

Standard			Implementation	
Tag	Name	St Format	St Format	Usage / Remark
C507	DATE/TIME/PERIOD	M	M	
2005	Date/time/period qualifier	M an..3	M an..3	2 Delivery date/time, requested 10 Shipment date/time, requested 51 Cumulative quantity start date 52 Cumulative quantity end date 158 Horizon start date 159 Horizon end date
2380	Date/time/period	C an..35	C an..35	
2379	Date/time/period format qualifier	C an..3	C an..3	101 YYMMDD

Remark:

DTM+51:160101:101'
 DTM+52:160508:101'
 DTM+158:160307:101'

No = Consecutive segment number
 MaxOcc = Maximum occurrence of the segment/group
 Counter = Counter of segment/group within the EDIFACT standard

St = Status
 EDIFACT: M=Mandatory, C=Conditional
 User specific: R=Required, O=Optional, D=Dependent, A=Advised, N=Not used

Segments

Counter	No	Tag	St	MaxOcc	Level	Name
	0760	SG22	C	999	3	NAD-SG24-SG27
	0770	NAD	M	1	3	NAME AND ADDRESS

Standard			Implementation	
Tag	Name	St Format	St Format	Usage / Remark
3035	Party qualifier	M an..3	M an..3	ST Ship to
C082	PARTY IDENTIFICATION DETAILS	C	C	
3039	Party id. identification	M an..35	M an..35	
1131	Code list qualifier	C an..3	N	Not used
3055	Code list responsible agency, coded	C an..3	C an..3	92 Assigned by buyer or buyer's agent
C058	NAME AND ADDRESS	C	N	
3124	Name and addressline	M an..35	N	Not used
3124	Name and addressline	C an..35	N	Not used
3124	Name and addressline	C an..35	N	Not used
3124	Name and addressline	C an..35	N	Not used
3124	Name and addressline	C an..35	N	Not used
C080	PARTY NAME	C	N	
3036	Party name	M an..35	N	Not used
3036	Party name	C an..35	N	Not used
3036	Party name	C an..35	N	Not used
3036	Party name	C an..35	N	Not used
3036	Party name	C an..35	N	Not used
3045	Party name format, coded	C an..3	N	Not used
C059	STREET	C	N	
3042	Street and number/p.o. box	M an..35	N	Not used
3042	Street and number/p.o. box	C an..35	N	Not used
3042	Street and number/p.o. box	C an..35	N	Not used
3042	Street and number/p.o. box	C an..35	N	Not used
3164	City name	C an..35	N	Not used
3229	Country sub-entity identification	C an..9	N	Not used
3251	Postcode identification	C an..9	N	Not used
3207	Country, coded	C an..3	N	Not used

Remark:

No = Consecutive segment number
 MaxOcc = Maximum occurrence of the segment/group
 Counter = Counter of segment/group within the EDIFACT standard

St = Status
 EDIFACT: M=Mandatory, C=Conditional
 User specific: R=Required, O=Optional, D=Dependent, A=Advised, N=Not used

Segments

Counter	No	Tag	St	MaxOcc	Level	Name
0830		SG24	C	5	4	CTA-COM
0840	19	CTA	M	1	4	CONTACT INFORMATION

Standard			Implementation	
Tag	Name	St Format	St Format	Usage / Remark
3139	Contact function, coded	C an..3	C an..3	EX Expeditor RD Receiving dock contact
C056	DEPARTMENT OR EMPLOYEE DETAILS	C	C	
3413	Department or employee identification	C an..17	N	Not used
3412	Department or employee	C an..35	C an..35	

Remark:
CTA+EX+:AD2'

No = Consecutive segment number
 MaxOcc = Maximum occurrence of the segment/group
 Counter = Counter of segment/group within the EDIFACT standard

St = Status
 EDIFACT: M=Mandatory, C=Conditional
 User specific: R=Required, O=Optional, D=Dependent, A=Advised, N=Not used

Segments

Counter	No	Tag	St	MaxOcc	Level	Name
0830		SG24	C	5	4	CTA-COM
0850	20	COM	C	5	5	COMMUNICATION CONTACT

Standard			Implementation	
Tag	Name	St Format	St Format	Usage / Remark
C076	COMMUNICATION CONTACT	M	M	
3148	Communication number	M an..512	M an..512	
3155	Communication channel qualifier	M an..3	M an..3	TE Telephone

Remark:

COM+9 2219017522:TE

No = Consecutive segment number
 MaxOcc = Maximum occurrence of the segment/group
 Counter = Counter of segment/group within the EDIFACT standard

St = Status
 EDIFACT: M=Mandatory, C=Conditional
 User specific: R=Required, O=Optional, D=Dependent, A=Advised, N=Not used

Segments

Counter	No	Tag	St	MaxOcc	Level	Name
0920		SG27	M	999	4	SCC-SG28
0930	21	SCC	M	1	4	SCHEDULING CONDITIONS

Standard			Implementation	
Tag	Name	St Format	St Format	Usage / Remark
4017	Delivery plan status indicator, coded	M an..3	M an..3	9 User defined
4493	Delivery requirements, coded	C an..3	N	Not used
C329	PATTERN DESCRIPTION	C	N	
2013	Frequency, coded	C an..3	N	Not used
2015	Despatch pattern, coded	C an..3	N	Not used
2017	Despatch pattern timing, coded	C an..3	N	Not used

Remark:

This mandatory segment is only used to comply with the EDIFACT standard. It does not contain any information and does not have to be processed by the supplier's converter system.

No = Consecutive segment number
 MaxOcc = Maximum occurrence of the segment/group
 Counter = Counter of segment/group within the EDIFACT standard

St = Status
 EDIFACT: M=Mandatory, C=Conditional
 User specific: R=Required, O=Optional, D=Dependent, A=Advised, N=Not used

Segments

Counter	No	Tag	St	MaxOcc	Level	Name
0940		SG28	M	999	5	QTY
0950	22	QTY	M	1	5	QUANTITY

Standard			Implementation	
Tag	Name	St Format	St Format	Usage / Remark
C186	QUANTITY DETAILS	M	M	
6063	Quantity qualifier	M an..3	M an..3	183 No delivery requirement in this instruction
6060	Quantity	M n..15	M n..15	Defaults to '0', because no requirements are transmitted in this segment but in SG18.
6411	Measure unit qualifier	C an..3	N	Not used

Remark:

This mandatory segment is only used to comply with the EDIFACT standard. It does not contain any information and does not have to be processed by the supplier's converter system.

No = Consecutive segment number
 MaxOcc = Maximum occurrence of the segment/group
 Counter = Counter of segment/group within the EDIFACT standard

St = Status
 EDIFACT: M=Mandatory, C=Conditional
 User specific: R=Required, O=Optional, D=Dependent, A=Advised, N=Not used

Segments

Counter	No	Tag	St	MaxOcc	Level	Name
1030	23	UNT	M	1	0	MESSAGE TRAILER

Standard			Implementation	
Tag	Name	St Format	St Format	Usage / Remark
0074	Number of segments in a message	M n..6	M n..6	
0062	Message reference number	M an..14	M an..14	

Remark:

UNT+295+160307031927'

No = Consecutive segment number
 MaxOcc = Maximum occurrence of the segment/group
 Counter = Counter of segment/group within the EDIFACT standard

St = Status
 EDIFACT: M=Mandatory, C=Conditional
 User specific: R=Required, O=Optional, D=Dependent, A=Advised, N=Not used

Segments

Counter	No	Tag	St	MaxOcc	Level	Name
0000	26	UNZ	M	1	0	INTERCHANGE TRAILER

Standard			Implementation	
Tag	Name	St Format	St Format	Usage / Remark
0036	Interchange control count	M n..6	M n..6	
0020	Interchange control reference	M an..14	M an..14	

Remark:

UNZ+1+00000987654321'

No = Consecutive segment number
 MaxOcc = Maximum occurrence of the segment/group
 Counter = Counter of segment/group within the EDIFACT standard

St = Status
 EDIFACT: M=Mandatory, C=Conditional
 User specific: R=Required, O=Optional, D=Dependent, A=Advised, N=Not used