

Ford Motor Company



EDI Implementation Documentation

DELJIT D.98B

- **Structure Chart**
- **Branching Diagram**
- **Segment Details**

FORD Motor Company

Systems Planning & Implementation

Christine Jaeschke

Tel.: ++44-1268-40-3758

Issue 2.7

Issue date 10.03.2016

Structure / Table of Contents

Counter	No	Tag	St	MaxOcc	Level	Content
0000	1	UNA	C	1	0	Service string advice
0000	2	UNB	M	1	0	Interchange header
0010	3	UNH	M	1	0	Message header
0020	4	BGM	M	1	0	Beginning of message
0030	5	DTM	M	10	1	Date/time/period
0050		SG1	C	10	1	RFF
0060	6	RFF	M	1	1	Reference
0080		SG2	C	20	1	NAD
0090	7	NAD	M	1	1	Name and address
0150		SG4	M	9999	1	SEQ-SG7
0160	8	SEQ	M	1	1	Sequence details
0250		SG7	C	9999	2	LIN-PAC-SG8-SG9-SG11
0260	9	LIN	M	1	2	Line item
0330	10	PAC	C	5	3	Package
0350		SG8	C	5	3	RFF
0360	11	RFF	M	1	3	Reference
0380		SG9	C	5	3	LOC-SG10
0390	12	LOC	M	1	3	Place/location identification
0400		SG10	C	5	4	CTA-COM
0410	13	CTA	M	1	4	Contact information
0420	14	COM	C	5	5	Communication contact
0430		SG11	C	100	3	QTY-SCC-DTM-SG12
0440	15	QTY	M	1	3	Quantity
0450	16	SCC	C	1	4	Scheduling conditions
0460	17	DTM	C	2	4	Date/time/period
0470		SG12	C	5	4	RFF-DTM
0480	18	RFF	M	1	4	Reference
0490	19	DTM	C	1	5	Date/time/period
0500	20	UNT	M	1	0	Message trailer
0000	21	UNZ	M	1	0	Interchange trailer

Counter = Counter of segment/group within the EDIFACT standard

No = Consecutive segment number

MaxOcc = Maximum occurrence of the segment/group

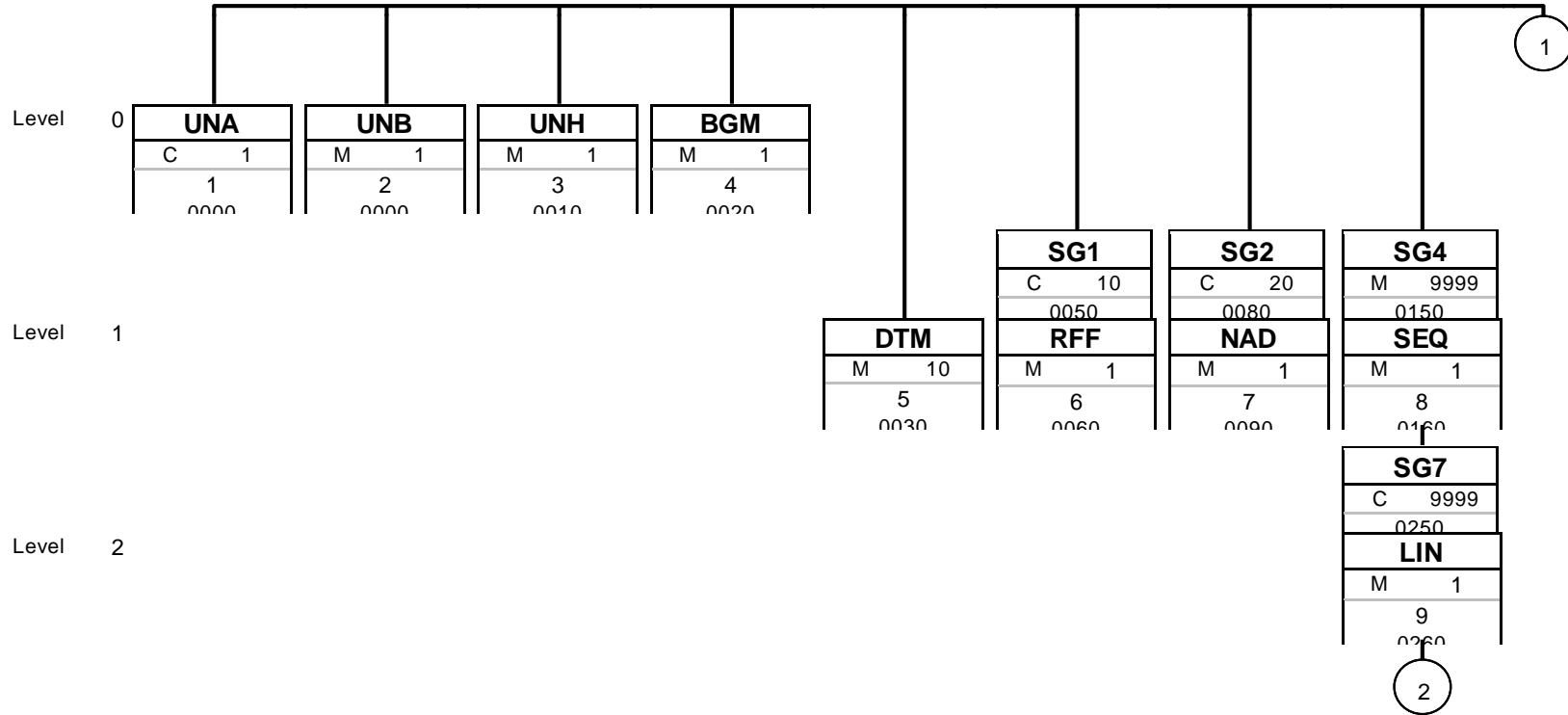
St = Status

EDIFACT: M=Mandatory, C=Conditional

User specific: R=Required, O=Optional, D=Dependent,

A=Advised, N=Not used

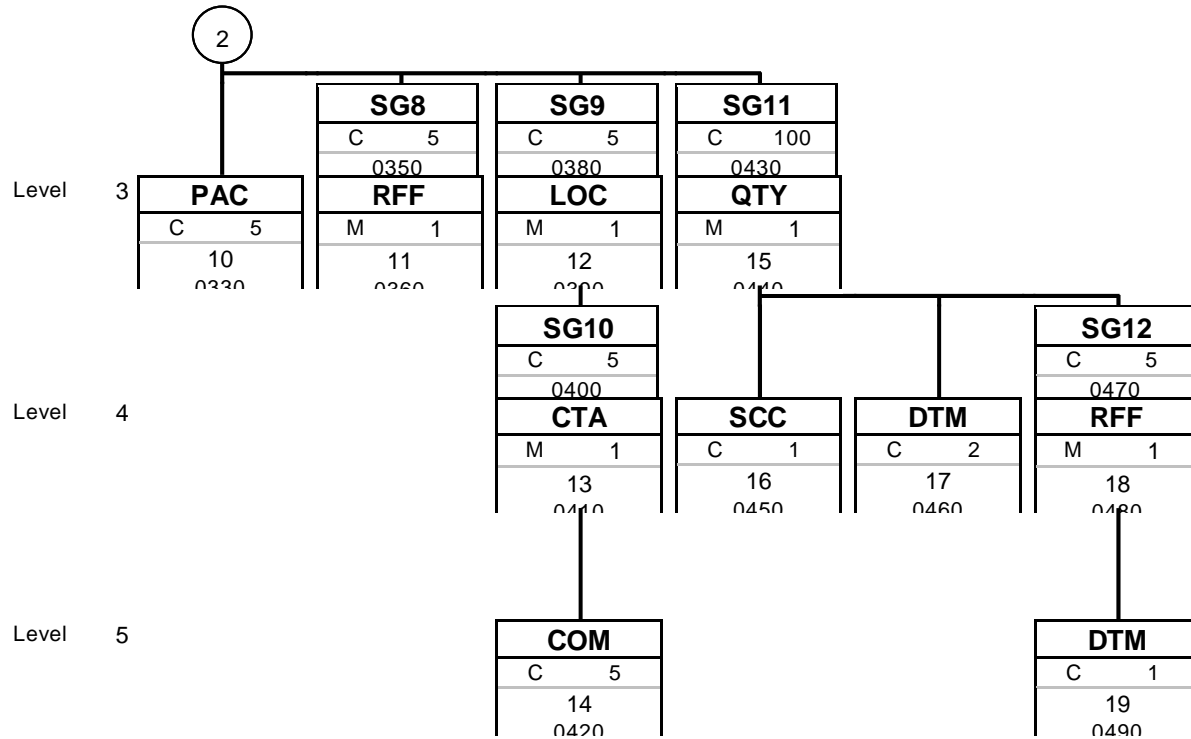
Branching Diagram of Used Segments/Groups



Tag
St MaxOcc
No
Counter

Tag = Segment/Group Tag
 St = Status (M=Mandatory, C=Conditional, R=Required, O=Optional, A=Advised, D=Dependent)
 MaxOcc = Maximum occurrence of the segment/group
 No = Consecutive segment number
 Counter = Counter of segment/group within the EDIFACT standard

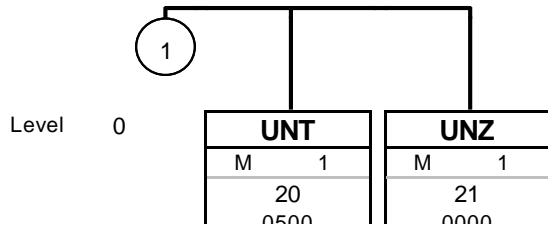
Branching Diagram of Used Segments/Groups



Tag
St MaxOcc
No
Counter

Tag = Segment/Group Tag
 St = Status (M=Mandatory, C=Conditional, R=Required, O=Optional, A=Advised, D=Dependent)
 MaxOcc = Maximum occurrence of the segment/group
 No = Consecutive segment number
 Counter = Counter of segment/group within the EDIFACT standard

Branching Diagram of Used Segments/Groups



Tag
St MaxOcc
No
Counter

Tag = Segment/Group Tag
 St = Status (M=Mandatory, C=Conditional, R=Required, O=Optional, A=Advised, D=Dependent)
 MaxOcc = Maximum occurrence of the segment/group
 No = Consecutive segment number
 Counter = Counter of segment/group within the EDIFACT standard

Segments

Counter	No	Tag	St	MaxOcc	Level	Name
0000	1	UNA	C	1	0	SERVICE STRING ADVICE

Standard			Implementation	
Tag	Name	St Format	St Format	Usage / Remark
UNA1	Component data element separator	M an1	M an1	:
UNA2	Data element separator	M an1	M an1	+
UNA3	Decimal notation	M an1	M an1	.
UNA4	Release indicator	M an1	M an1	?
UNA5	Reserved for future use	M an1	M an1	
UNA6	Segment terminator	M an1	M an1	'

Remark:
UNA:+.? '

No = Consecutive segment number
 MaxOcc = Maximum occurrence of the segment/group
 Counter = Counter of segment/group within the EDIFACT standard

St = Status
 EDIFACT: M=Mandatory, C=Conditional
 User specific: R=Required, O=Optional, D=Dependent, A=Advised, N=Not used

Segments

Counter	No	Tag	St	MaxOcc	Level	Name
0000	2	UNB	M	1	0	INTERCHANGE HEADER

Standard			Implementation		
Tag	Name	St Format	St Format	Usage / Remark	
S001	SYNTAX IDENTIFIER	M	M		
0001	Syntax identifier	M a4	M a4	UNOC UNECE level C	
0002	Syntax version number	M n1	M n1	3 Version 3	
S002	INTERCHANGE SENDER	M	M		
0004	Sender identification	M an..35	M an..35		
0007	Partner identification code qualifier	C an..4	N	Not used	
0008	Address for reverse routing	C an..14	N	Not used	
S003	INTERCHANGE RECIPIENT	M	M		
0010	Recipient identification	M an..35	M an..35		
0007	Partner identification code qualifier	C an..4	N	Not used	
0014	Routing address	C an..14	N	Not used	
S004	DATE/TIME OF PREPARATION	M	M		
0017	Date of preparation	M n6	M n6		
0019	Time of preparation	M n4	M n4		
0020	Interchange control reference	M an..14	M an..14		
S005	RECIPIENT'S REFERENCE PASSWORD	C	N		
0022	Recipient's reference/password	M an..14	N	Not used	
0025	Recipient's reference/password qualifier	C an2	N	Not used	
0026	Application reference	C an..14	N	Not used	
0029	Processing priority code	C a1	N	Not used	
0031	Acknowledgement request	C n1	N	Not used	
0032	Communications agreement ID	C an..35	N	Not used	
0035	Test indicator	C n1	N	Not used	

Remark:

UNB+UNOC:3+0134A+ABCDE+060307:1000+00000987654321'

No = Consecutive segment number
 MaxOcc = Maximum occurrence of the segment/group
 Counter = Counter of segment/group within the EDIFACT standard

St = Status
 EDIFACT: M=Mandatory, C=Conditional
 User specific: R=Required, O=Optional, D=Dependent, A=Advised, N=Not used

Segments

Counter	No	Tag	St	MaxOcc	Level	Name
0010	1	UNH	M	1	0	Message header

Standard			Implementation	
Tag	Name	St Format	St Format	Usage / Remark
0062	Message reference number	M an..14	M an..14	
S009	Message identifier	M	M	
0065	Message type identifier	M an..6	M an..6	DELJIT Delivery just in time message
0052	Message version number	M an..3	M an..3	D Draft version/UN/EDIFACT Directory
0054	Message release number	M an..3	M an..3	98B Release 1998 - B
0051	Controlling agency	M an..2	M an..2	UN UNECE/TRADE/WP.4
0057	Association assigned code	C an..6	N	Not used
0068	Common access reference	C an..35	N	Not used
S010	Status of the transfer	C	N	
0070	Sequence of transfers	M n..2	N	Not used
0073	First/last sequence message transfer indication	C a1	N	Not used

Remark:

UNH+160310033159+DELJIT:D:98B:UN'

No = Consecutive segment number
 MaxOcc = Maximum occurrence of the segment/group
 Counter = Counter of segment/group within the EDIFACT standard

St = Status
 EDIFACT: M=Mandatory, C=Conditional
 User specific: R=Required, O=Optional, D=Dependent, A=Advised, N=Not used

Segments

Counter	No	Tag	St	MaxOcc	Level	Name
0020	2	BGM	M	1	0	Beginning of message

Standard			Implementation	
Tag	Name	St Format	St Format	Usage / Remark
C002	Document/message name	C	C	
1001	Document/message name, coded	C an..3	C an..3	242 Delivery just-in-time
1131	Code list qualifier	C an..3	N	Not used
3055	Code list responsible agency, coded	C an..3	N	Not used
1000	Document/message name	C an..35	C an..35	"DELJIT"
C106	Document/message identification	C	C	
1004	Document/message number	C an..35	C an..35	Mapped from release number or reference number field in primary control record of 862 CIF.
1056	Version	C an..9	N	Not used
1060	Revision number	C an..6	N	Not used
1225	Message function, coded	C an..3	C an..3	5 Replace 9 Original
4343	Response type, coded	C an..3	N	Not used

Remark:

BGM+242:::DELJIT+160690000826+5'

No = Consecutive segment number
 MaxOcc = Maximum occurrence of the segment/group
 Counter = Counter of segment/group within the EDIFACT standard

St = Status
 EDIFACT: M=Mandatory, C=Conditional
 User specific: R=Required, O=Optional, D=Dependent, A=Advised, N=Not used

Segments

Counter	No	Tag	St	MaxOcc	Level	Name
0030	3	DTM	M	10	1	Date/time/period

Standard			Implementation	
Tag	Name	St Format	St Format	Usage / Remark
C507	Date/time/period	M	M	
2005	Date/time/period qualifier	M an..3	M an..3	137 Document/message date/time 158 Horizon start date 159 Horizon end date
2380	Date/time/period	C an..35	C an..35	If mapped to schedule issue date field in primary control record of 862 CIF then 2005 = "137". If mapped to horizon start date field in primary control record of 862 CIF then 2005 = "158". If mapped to horizon end date field in primary control record of 862 CIF then 2005 = "159".
2379	Date/time/period format qualifier	C an..3	C an..3	101 YYMMDD

Remark:

DTM+137:160310:101'
DTM+159:160323:101'
DTM+158:160310:101'

No = Consecutive segment number
MaxOcc = Maximum occurrence of the segment/group
Counter = Counter of segment/group within the EDIFACT standard

St = Status
EDIFACT: M=Mandatory, C=Conditional
User specific: R=Required, O=Optional, D=Dependent, A=Advised, N=Not used

Segments

Counter	No	Tag	St	MaxOcc	Level	Name
0050		SG1	C	10	1	RFF
0060	4	RFF	M	1	1	Reference

Standard			Implementation	
Tag	Name	St Format	St Format	Usage / Remark
C506	Reference	M	M	
1153	Reference qualifier	M an..3	M an..3	ALM Previous delivery schedule number
1154	Reference number	C an..35	C an..35	If mapped to release number field in primary control record of 862 CIF then 1153 = " ALM".
1156	Line number	C an..6	N	Not used
4000	Reference version number	C an..35	N	Not used
1060	Revision number	C an..6	N	Not used

Remark:
RFF+ALM:831-14'

No = Consecutive segment number
 MaxOcc = Maximum occurrence of the segment/group
 Counter = Counter of segment/group within the EDIFACT standard

St = Status
 EDIFACT: M=Mandatory, C=Conditional
 User specific: R=Required, O=Optional, D=Dependent, A=Advised, N=Not used

Segments

Counter	No	Tag	St	MaxOcc	Level	Name
0080		SG2	C	20	1	NAD
0090	5	NAD	M	1	1	Name and address

Standard			Implementation		
Tag	Name	St Format	St Format	Usage / Remark	
3035	Party qualifier	M an..3	M an..3	BY Buyer IC Intermediate consignee MI Planning schedule/material release issuer SF Ship from ST Ship to SU Supplier	
C082	Party identification details	C	C		
3039	Party identification	M an..35	M an..35	If mapped to sender's location code field in routing header record of 862 CIF then 3035 = "MI" If mapped to receiver's location code1 field in routing header record of 862 CIF then 3035 = "SU" If mapped to ship from location code in primary control record of 862 CIF then 3035 = "SF". SF qualified NAD only used if different from receiver's location code1. If mapped to ship to location code in primary control record of 862 CIF then 3035 = "ST". If mapped to buyer's location code in primary control record of 862 CIF then 3035 = "BY". If mapped to seller's location code in primary control record of 862 CIF then 3035 = "SU". If mapped to intermediate consignee code in primary control record of 862 CIF then 3035 = "IC".	
1131	Code list qualifier	C an..3	N	Not used	
3055	Code list responsible agency, coded	C an..3	C an..3	92 Assigned by buyer or buyer's agent	
C058	Name and address	C	N		
3124	Name and address line	M an..35	N	Not used	
3124	Name and address line	C an..35	N	Not used	
3124	Name and address line	C an..35	N	Not used	
3124	Name and address line	C an..35	N	Not used	

No = Consecutive segment number
 MaxOcc = Maximum occurrence of the segment/group
 Counter = Counter of segment/group within the EDIFACT standard

St = Status
 EDIFACT: M=Mandatory, C=Conditional
 User specific: R=Required, O=Optional, D=Dependent, A=Advised, N=Not used

Segments

3124	Name and address line	C an..35	N	Not used
C080	Party name	C	N	
3036	Party name	M an..35	N	Not used
3036	Party name	C an..35	N	Not used
3036	Party name	C an..35	N	Not used
3036	Party name	C an..35	N	Not used
3036	Party name	C an..35	N	Not used
3045	Party name format, coded	C an..3	N	Not used
C059	Street	C	N	

No = Consecutive segment number
 MaxOcc = Maximum occurrence of the segment/group
 Counter = Counter of segment/group within the EDIFACT
 standard

St = Status
 EDIFACT: M=Mandatory, C=Conditional
 User specific: R=Required, O=Optional, D=Dependent,
 A=Advised, N=Not used

Segments

		Standard	Implementation	
Tag	Name	St Format	St Format	Usage / Remark
3042	Street and number/p.o. box	M an..35	N	Not used
3042	Street and number/p.o. box	C an..35	N	Not used
3042	Street and number/p.o. box	C an..35	N	Not used
3042	Street and number/p.o. box	C an..35	N	Not used
3164	City name	C an..35	N	Not used
3229	Country sub-entity identification	C an..9	N	Not used
3251	Postcode identification	C an..9	N	Not used
3207	Country, coded	C an..3	N	Not used

Remark:

NAD+MH+0145A::92'

NAD+SU+GSDBA::92'

NAD+ST+0145A::92'

No = Consecutive segment number
 MaxOcc = Maximum occurrence of the segment/group
 Counter = Counter of segment/group within the EDIFACT
 standard

St = Status
 EDIFACT: M=Mandatory, C=Conditional
 User specific: R=Required, O=Optional, D=Dependent,
 A=Advised, N=Not used

Segments

Counter	No	Tag	St	MaxOcc	Level	Name
0150		SG4	M	9999	1	SEQ-SG7
0160	6	SEQ	M	1	1	Sequence details

Standard			Implementation	
Tag	Name	St Format	St Format	Usage / Remark
1229	Action request/notification, coded	C an..3	C an..3	40 Agreed
C286	Sequence information	C	N	
1050	Sequence number	M an..10	N	Not used
1159	Sequence number source, coded	C an..3	N	Not used
1131	Code list qualifier	C an..3	N	Not used
3055	Code list responsible agency, coded	C an..3	N	Not used

Remark:
SEQ+40'

No = Consecutive segment number
 MaxOcc = Maximum occurrence of the segment/group
 Counter = Counter of segment/group within the EDIFACT standard

St = Status
 EDIFACT: M=Mandatory, C=Conditional
 User specific: R=Required, O=Optional, D=Dependent, A=Advised, N=Not used

Segments

Counter	No	Tag	St	MaxOcc	Level	Name
0250		SG7	C	9999	2	LIN-PAC-SG8-SG9-SG11
0260	7	LIN	M	1	2	Line item

Standard			Implementation	
Tag	Name	St Format	St Format	Usage / Remark
1082	Line item number	C an..6	N	Not used
1229	Action request/notification, coded	C an..3	N	Not used
C212	Item number identification	C	C	
7140	Item number	C an..35	C an..35	Part number
7143	Item number type, coded	C an..3	C an..3	BP Buyer's part number
1131	Code list qualifier	C an..3	N	Not used
3055	Code list responsible agency, coded	C an..3	N	Not used
C829	Sub-line information	C	N	
5495	Sub-line indicator, coded	C an..3	N	Not used
1082	Line item number	C an..6	N	Not used
1222	Configuration level	C n..2	N	Not used
7083	Configuration, coded	C an..3	N	Not used

Remark:
 LIN+++1A11 A01234 AA:BP

No = Consecutive segment number
 MaxOcc = Maximum occurrence of the segment/group
 Counter = Counter of segment/group within the EDIFACT standard

St = Status
 EDIFACT: M=Mandatory, C=Conditional
 User specific: R=Required, O=Optional, D=Dependent, A=Advised, N=Not used

Segments

Counter	No	Tag	St	MaxOcc	Level	Name
0250		SG7	C	9999	2	LIN-PAC-SG8-SG9-SG11
0330	8	PAC	C	5	3	Package

Standard			Implementation	
Tag	Name	St Format	St Format	Usage / Remark
7224	Number of packages	C n..8	N	Not used
C531	Packaging details	C	N	
7075	Packaging level, coded	C an..3	N	Not used
7233	Packaging related information, coded	C an..3	N	Not used
7073	Packaging terms and conditions, coded	C an..3	N	Not used
C202	Package type	C	C	
7065	Type of packages identification	C an..17	C an..17	Mapped to container type code in part record of 862 CIF, 3055 = "116".
1131	Code list qualifier	C an..3	N	Not used
3055	Code list responsible agency, coded	C an..3	C an..3	116 US, ANSI ASC X12
7064	Type of packages	C an..35	N	Not used
C402	Package type identification	C	N	
7077	Item description type, coded	M an..3	N	Not used
7064	Type of packages	M an..35	N	Not used
7143	Item number type, coded	C an..3	N	Not used
7064	Type of packages	C an..35	N	Not used
7143	Item number type, coded	C an..3	N	Not used
C532	Returnable package details	C	N	
8395	Returnable package freight payment responsibility, coded	C an..3	N	Not used
8393	Returnable package load contents, coded	C an..3	N	Not used

Remark:

No = Consecutive segment number
 MaxOcc = Maximum occurrence of the segment/group
 Counter = Counter of segment/group within the EDIFACT standard

St = Status
 EDIFACT: M=Mandatory, C=Conditional
 User specific: R=Required, O=Optional, D=Dependent, A=Advised, N=Not used

Segments

Counter	No	Tag	St	MaxOcc	Level	Name
0350		SG8	C	5	3	RFF
0360	9	RFF	M	1	3	Reference

Standard			Implementation	
Tag	Name	St Format	St Format	Usage / Remark
C506	Reference	M	M	
1153	Reference qualifier	M an..3	M an..3	ON Order number (purchase)
1154	Reference number	C an..35	C an..35	If mapped to purchase order number in part record of 862 CIF then 1153 = "ON".
1156	Line number	C an..6	N	Not used
4000	Reference version number	C an..35	N	Not used
1060	Revision number	C an..6	N	Not used

Remark:
RFF+ON:OD0067'

No = Consecutive segment number
 MaxOcc = Maximum occurrence of the segment/group
 Counter = Counter of segment/group within the EDIFACT standard

St = Status
 EDIFACT: M=Mandatory, C=Conditional
 User specific: R=Required, O=Optional, D=Dependent, A=Advised, N=Not used

Segments

Counter	No	Tag	St	MaxOcc	Level	Name
0380		SG9	C	5	3	LOC-SG10
0390	10	LOC	M	1	3	Place/location identification

Standard			Implementation		
Tag	Name	St Format	St Format	Usage / Remark	
3227	Place/location qualifier	M an..3	M an..3	LOC+11 is called Dock Code LOC+54 is called Line Feed location. LOC+159 is called market place for European plants. 11 Place/port of discharge 54 Manufacturing department 159 Additional internal destination	
C517	Location identification	C	C		
3225	Place/location identification	C an..25	C an..25	If mapped to receiving dock code in part record of 862 CIF then 3227 = "11". If mapped to line feed in part record of 862 CIF then 3227 = "54". If mapped to reserve line feed in part record of 862 CIF then 3227 = "159".	
1131	Code list qualifier	C an..3	N	Not used	
3055	Code list responsible agency, coded	C an..3	N	Not used	
3224	Place/location	C an..70	N	Not used	
C519	Related location one identification	C	N		
3223	Related place/location one identification	C an..25	N	Not used	
1131	Code list qualifier	C an..3	N	Not used	
3055	Code list responsible agency, coded	C an..3	N	Not used	
3222	Related place/location one	C an..70	N	Not used	
C553	Related location two identification	C	N		
3233	Related place/location two identification	C an..25	N	Not used	
1131	Code list qualifier	C an..3	N	Not used	
3055	Code list responsible agency, coded	C an..3	N	Not used	
3232	Related place/location two	C an..70	N	Not used	
5479	Relation, coded	C an..3	N	Not used	

Remark:

No = Consecutive segment number
 MaxOcc = Maximum occurrence of the segment/group
 Counter = Counter of segment/group within the EDIFACT standard

St = Status
 EDIFACT: M=Mandatory, C=Conditional
 User specific: R=Required, O=Optional, D=Dependent, A=Advised, N=Not used

Segments

If there is no dock code (LOC+11) present in the CMMS inhouse file, the ship-to (receiving plant) 2-digit code will be transmitted in the LOC+11.

LOC+11+V5'

LOC+54+MLV-E02'

No = Consecutive segment number
MaxOcc = Maximum occurrence of the segment/group
Counter = Counter of segment/group within the EDIFACT
standard

St = Status
EDIFACT: M=Mandatory, C=Conditional
User specific: R=Required, O=Optional, D=Dependent,
A=Advised, N=Not used

Segments

Counter	No	Tag	St	MaxOcc	Level	Name
0400		SG10	C	5	4	CTA-COM
0410	11	CTA	M	1	4	Contact information

Standard			Implementation	
Tag	Name	St Format	St Format	Usage / Remark
3139	Contact function, coded	C an..3	C an..3	EX Expeditor RD Receiving dock contact
C056	Department or employee details	C	C	
3413	Department or employee identification	C an..17	N	Not used
3412	Department or employee	C an..35	C an..35	If mapped to Ford contact - expeditor field in part record of 862 CIF then 3139 = "EX". If mapped to Ford contact - receiving dock field in part record of 862 CIF then 3139 = "RD".

Remark:
CTA+EX+: SCM-CNTR'

No = Consecutive segment number
 MaxOcc = Maximum occurrence of the segment/group
 Counter = Counter of segment/group within the EDIFACT standard

St = Status
 EDIFACT: M=Mandatory, C=Conditional
 User specific: R=Required, O=Optional, D=Dependent, A=Advised, N=Not used

Segments

Counter	No	Tag	St	MaxOcc	Level	Name
0400		SG10	C	5	4	CTA-COM
0420	12	COM	C	5	5	Communication contact

		Standard	Implementation	
Tag	Name	St Format	St Format	Usage / Remark
C076	Communication contact	M	M	
3148	Communication number	M an..512	M an..512	
3155	Communication channel qualifier	M an..3	M an..3	TE Telephone

Remark:
COM+21-90-12345:TE

No = Consecutive segment number
 MaxOcc = Maximum occurrence of the segment/group
 Counter = Counter of segment/group within the EDIFACT standard

St = Status
 EDIFACT: M=Mandatory, C=Conditional
 User specific: R=Required, O=Optional, D=Dependent, A=Advised, N=Not used

Segments

Counter	No	Tag	St	MaxOcc	Level	Name
0430		SG11	C	100	3	QTY-SCC-DTM-SG12
0440	13	QTY	M	1	3	Quantity

Standard			Implementation		
Tag	Name	St Format	St Format	Usage / Remark	
C186	Quantity details	M	M		
6063	Quantity qualifier	M an..3	M an..3	QTY+79 expresses the last shipment (ASN) cumulative quantity. 1 Discrete quantity 3 Cumulative quantity 12 Despatch quantity 52 Quantity per pack 79 Previous cumulative quantity 83 Backorder quantity (FCSD only)	
6060	Quantity	M n..15	M n..15	If mapped to last asn net quantity field in the part record of 862 CIF then 6063 = "12". If mapped to last asn cum quantity field in the part record of 862 CIF then 6063 = "3". If mapped to last received net quantity field in the part record of 862 CIF then 6063 = "48". If mapped to last received cum quantity field in the part record of 862 CIF then 6063 = "70". If mapped to parts per container field in the part record of 862 CIF then 6063 = "52". If mapped to schedule quantity field in the part record of 862 CIF then 6063 = quantity qualifier field from primary control record of 862 CIF.	
6411	Measure unit qualifier	C an..3	C an..3	Mapped to unit of measure field in the part record of 862 CIF.	

Remark:

QTY+12:23:KG'

QTY+79:23:KG'

No = Consecutive segment number
 MaxOcc = Maximum occurrence of the segment/group
 Counter = Counter of segment/group within the EDIFACT standard

St = Status
 EDIFACT: M=Mandatory, C=Conditional
 User specific: R=Required, O=Optional, D=Dependent, A=Advised, N=Not used

Segments

Counter	No	Tag	St	MaxOcc	Level	Name
0430		SG11	C	100	3	QTY-SCC-DTM-SG12
0450	14	SCC	C	1	4	Scheduling conditions

Standard			Implementation	
Tag	Name	St Format	St Format	Usage / Remark
4017	Delivery plan commitment level, coded	M an..3	M an..3	Mapped to schedule qualifier in the shipment schedule record of 862 CIF. 1 Firm 20 Strike protection
4493	Delivery instruction, coded	C an..3	C an..3	DD Deliver on date SC Ship complete order
C329	Pattern description	C	C	
2013	Frequency, coded	C an..3	C an..3	Mapped to schedule timing qualifier in the shipment schedule record of 862 CIF. D Discrete
2015	Despatch pattern, coded	C an..3	N	Not used
2017	Despatch pattern timing, coded	C an..3	N	Not used

Remark:
SCC+1+SC+D

No = Consecutive segment number
 MaxOcc = Maximum occurrence of the segment/group
 Counter = Counter of segment/group within the EDIFACT standard

St = Status
 EDIFACT: M=Mandatory, C=Conditional
 User specific: R=Required, O=Optional, D=Dependent, A=Advised, N=Not used

Segments

Counter	No	Tag	St	MaxOcc	Level	Name	
	0430	SG11	C	100	3	QTY-SCC-DTM-SG12	
	0460	15	DTM	C	2	4	Date/time/period

Standard			Implementation	
Tag	Name	St Format	St Format	Usage / Remark
C507	Date/time/period	M	M	
2005	Date/time/period qualifier	M an..3	M an..3	2 Delivery date/time, requested 10 Shipment date/time, requested 50 Goods receipt date/time 51 Cumulative quantity start date
2380	Date/time/period	C an..35	C an..35	If mapped to beginning inventory date of the part record of 862 CIF then 2005 = "51". If mapped to last received shipment date of the part record of 862 CIF then 2005 = "50". If mapped to ship/delivery schedule date of the part record of 862 CIF then 2005 = ship/delivery qualifier from primary control record of 862 CIF. If mapped to ship/delivery schedule time of the part record of 862 CIF then 2005 = ship/delivery qualifier from primary control record of 862 CIF and 2379 = "401".
2379	Date/time/period format qualifier	C an..3	C an..3	101 YYMMDD 401 HHMM

Remark:
DTM+10:160310:101'

No = Consecutive segment number
MaxOcc = Maximum occurrence of the segment/group
Counter = Counter of segment/group within the EDIFACT standard

St = Status
EDIFACT: M=Mandatory, C=Conditional
User specific: R=Required, O=Optional, D=Dependent, A=Advised, N=Not used

Segments

Counter	No	Tag	St	MaxOcc	Level	Name
0470		SG12	C	5	4	RFF-DTM
0480	16	RFF	M	1	4	Reference

Standard			Implementation	
Tag	Name	St Format	St Format	Usage / Remark
C506	Reference	M	M	
1153	Reference qualifier	M an..3	M an..3	AAK Despatch advice number
1154	Reference number	C an..35	C an..35	If mapped to last asn shipment id number in the part record of 862 CIF then 1153 = "AAK".
1156	Line number	C an..6	N	Not used
4000	Reference version number	C an..35	N	Not used
1060	Revision number	C an..6	N	Not used

Remark:
RFF+AAK:00060037305'

No = Consecutive segment number
 MaxOcc = Maximum occurrence of the segment/group
 Counter = Counter of segment/group within the EDIFACT standard

St = Status
 EDIFACT: M=Mandatory, C=Conditional
 User specific: R=Required, O=Optional, D=Dependent, A=Advised, N=Not used

Segments

Counter	No	Tag	St	MaxOcc	Level	Name
0470		SG12	C	5	4	RFF-DTM
0490	17	DTM	C	1	5	Date/time/period

Standard			Implementation	
Tag	Name	St Format	St Format	Usage / Remark
C507	Date/time/period	M	M	
2005	Date/time/period qualifier	M an..3	M an..3	11 Despatch date and or time
2380	Date/time/period	C an..35	C an..35	If mapped to last asn shipment date in the part record of 862 CIF then 2005 = "11".
2379	Date/time/period format qualifier	C an..3	C an..3	101 YYMMDD

Remark:
DTM+11:160205:101'

No = Consecutive segment number
 MaxOcc = Maximum occurrence of the segment/group
 Counter = Counter of segment/group within the EDIFACT standard

St = Status
 EDIFACT: M=Mandatory, C=Conditional
 User specific: R=Required, O=Optional, D=Dependent, A=Advised, N=Not used

Segments

Counter	No	Tag	St	MaxOcc	Level	Name
0500	18	UNT	M	1	0	Message trailer

Standard			Implementation	
Tag	Name	St Format	St Format	Usage / Remark
0074	Number of segments in the message	M n..6	M n..6	
0062	Message reference number	M an..14	M an..14	

Remark:

UNT+586+160310033159'

No = Consecutive segment number
 MaxOcc = Maximum occurrence of the segment/group
 Counter = Counter of segment/group within the EDIFACT standard

St = Status
 EDIFACT: M=Mandatory, C=Conditional
 User specific: R=Required, O=Optional, D=Dependent, A=Advised, N=Not used

Segments

Counter	No	Tag	St	MaxOcc	Level	Name
0000	26	UNZ	M	1	0	INTERCHANGE TRAILER

Standard			Implementation	
Tag	Name	St Format	St Format	Usage / Remark
0036	Interchange control count	M n..6	M n..6	
0020	Interchange control reference	M an..14	M an..14	

Remark:
UNZ+1+00000987654321'

No = Consecutive segment number
 MaxOcc = Maximum occurrence of the segment/group
 Counter = Counter of segment/group within the EDIFACT standard

St = Status
 EDIFACT: M=Mandatory, C=Conditional
 User specific: R=Required, O=Optional, D=Dependent, A=Advised, N=Not used